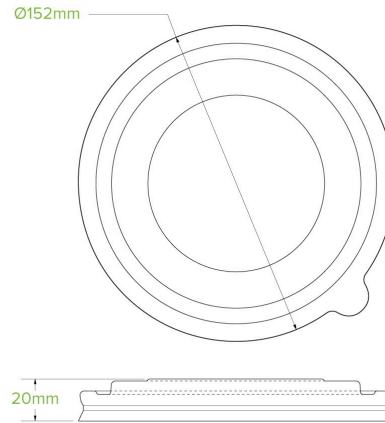


500-1,000ml PLA Kraft BioBowl lid BB-BLL-148-PLA



Our PLA clear lids are leakproof and suitable for cold food only. They are not suitable for the microwave or oven. Designed to fit our wider 500-1,000ml kraft bowls which are ideal for poke bowls, salad bowls and more. Certified industrially compostable.

Carton quantity: 400	Sleeves per carton: 16	Units per sleeve: 25
Carton Size LxWxH (cm): 32x29x61.5	Carton gross weight (kg): 4.400000	Carton barcode: 19344062052170
Raw material: Bioplastic - Ingeo™ PLA	Lining/coating: None	Window material: None
Printing Type: None	Inks: None	Dimensions top LxW (mm): 148x148
Dimensions base LxW (mm): 148x148	Product Depth: 20	Product weight (g): 8
Use: Cold & Dry Products	Manufactured: China	Customise: Emboss
MOQ custom: 50000	Mould fees: Yes - see custom packaging	Environmental production certified: None
Quality product certified: ISO 9001	Factory food safety certified: BRC	Corporate social accreditation: BSCI
Home compostable: No	Industrially compostable: Certified to AS4736 Australian Standards, Certified to EN13432 European Standard	Recyclable: No