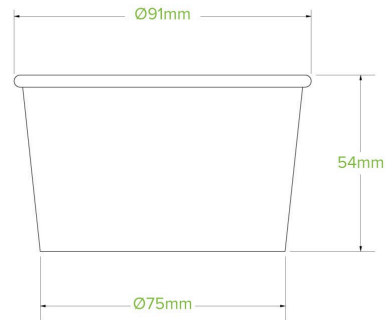


240ml / 8oz Ice Cream BioCup BB-BIC-8



BioPak 240ml / 8oz paper ice cream cups are made from FSC™ certified paper and lined with Ingeo™ – a bioplastic product made from plants, not oil. They are perfectly portioned for serving ice cream, frozen yoghurt or gelato. These ice cream cups are certified industrially compostable.

Carton quantity: 1000	Sleeves per carton: 20	Units per sleeve: 50
Carton Size LxWxH (cm): 47x37.5x56.5	Carton gross weight (kg): 7.400000	Carton barcode: 19344062051944
Raw material: Paper - FSC™ Mix certified paper	Lining/coating: Bioplastic - Ingeo™ PLA	Window material: None
Printing Type: Flexo	Inks: Food Contact Safe Inks - Soy or Water Based	Brim fill capacity (ml): 240
Dimensions top LxW (mm): 91x91	Dimensions base LxW (mm): 75x75	Product Depth: 54
Product weight (g): 6	Thickness: 190gsm	Use: Hot and cold
Manufactured: China	Customise: Print	MOQ custom: 30000
Mould fees: No	Environmental production certified: ISO 14001	Quality product certified: NA
Factory food safety certified: BRC, ISO 22000	Corporate social accreditation: NONE AVAILABLE	Home compostable: No
Industrially compostable: Certified to AS4736 Australian Standards, Certified to EN13432 European Standard	Recyclable: No	