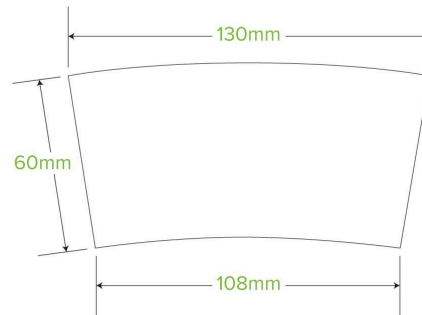


12oz Paper Cup Sleeve BCS-12



Our large paper coffee cup sleeves are made from premium paperboard and are both compostable/recyclable. They are an eco-friendly choice compared to double-cupping hot drinks.

Carton quantity: 1000	Sleeves per carton: 10	Units per sleeve: 100
Carton Size LxWxH (cm): 35x26.5x34	Carton gross weight (kg): 5.200000	Carton barcode: 19344062028373
Raw material: Paper - Recycled Paper Pulp	Lining/coating: None	Window material: None
Printing Type: Offset	Inks: None	Dimensions top LxW (mm): 125x125
Dimensions base LxW (mm): 110x110	Product weight (g): 5.07	Thickness: 270gsm
Use: Hot and cold	Manufactured: China	Customise: Print
MOQ custom: 30000	Mould fees: No	Environmental production certified: ISO 14001
Quality product certified: ISO 9001	Factory food safety certified: BRC	Corporate social accreditation: BSCI
Home compostable: Suitable for composting	Industrially compostable: Suitable for composting	Recyclable: No