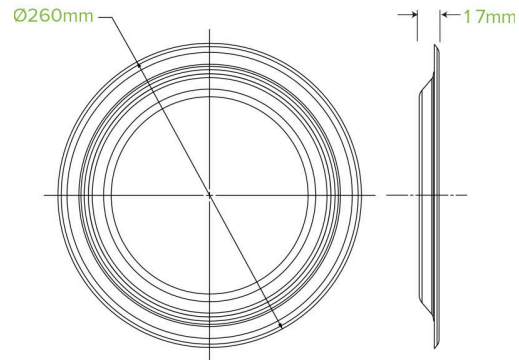


10 Pack - 25cm / 10" White BioPlates in Plastic Sleeves RT-B-PL-10-12X10P



Our plastic-free plates are made from rapidly renewable sugarcane pulp, a by-product of the sugar refining industry. Our BioCane range is certified home compostable. These compostable plates have been packaged for retail sale and are shelf-ready. There are 10 sugarcane plates per pack and 12 packs per carton.

Carton quantity: 120	Sleeves per carton: 12	Units per sleeve: 10
Carton Size LxWxH (cm): 33.5x27.5x28.5	Carton gross weight (kg): 6.000000	Carton barcode: 19344062027956
Raw material: Plant Fibre With PFAS	Lining/coating: None	Window material: None
Printing Type: None	Inks: None	Dimensions top LxW (mm): 258
Dimensions base LxW (mm): 200	Product Depth: 22	Product weight (g): 20
Thickness: 0.6mm	Use: Hot, Cold, Wet & Dry Products	Manufactured: China
Customise: Yes - Please Contact Our Team For More Information	MOQ custom: MOQ apply see custom packaging	Mould fees: Yes - see custom packaging
Environmental production certified: ISO 14001	Quality product certified: ISO 9001	Factory food safety certified: BRC
Corporate social accreditation: BSCI	Home compostable: No	Industrially compostable: No
Recyclable: No		