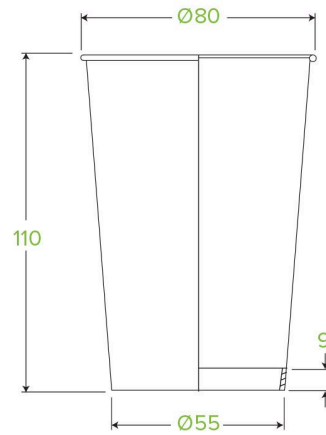


320ml / 10oz (80mm) White Single Wall BioCup BC-10W



White paper BioCups are manufactured using a Aqueous water dispersion coating. BioPak paper cups are certified home compostable (AS5810). This 10oz white single-wall cup fits our large lids.

Carton quantity: 1000	Sleeves per carton: 20	Units per sleeve: 50
Carton Size LxWxH (cm): 40.5x32.5x52.5	Carton gross weight (kg): 10.200000	Carton barcode: 19344062036583
Raw material: Paper	Lining/coating: Bioplastic - Ingeo™ PLA	Window material: None
Printing Type: Offset	Inks: Food Contact Safe Inks	Brim fill capacity (ml): 335
Dimensions top LxW (mm): 80	Dimensions base LxW (mm): 56	Product Depth: 110
Product weight (g): 9.2	Thickness: 285gsm + 35gsm PLA	Use: Hot and cold
Manufactured: Taiwan	Customise: None	MOQ custom: 25000
Mould fees: No	Environmental production certified: ISO 14001	Quality product certified: ISO 9001
Factory food safety certified: BRC	Corporate social accreditation: SMETA	Home compostable: No
Industrially compostable: Certified to AS4736 Australian Standards, Certified to EN13432 European Standard	Recyclable: No	