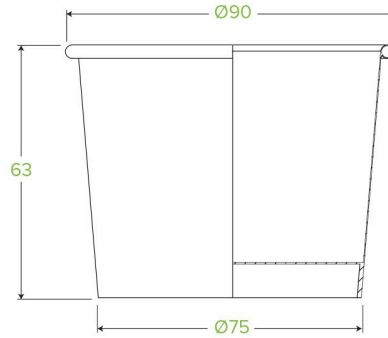


250ml / 8oz White BioBowl BSC-8



8oz white paper bowls are lined with a plant-based bioplastic, not fossil-fuel plastic. Certified industrially compostable. Suitable for hot/cold food and soup-safe.

Carton quantity: 1000	Sleeves per carton: 20	Units per sleeve: 50
Carton Size LxWxH (cm): 45.5x36.5x51	Carton gross weight (kg): 9.500000	Carton barcode: 19344062000423
Raw material: Paper	Lining/coating: Bioplastic - Ingeo™ PLA	Window material: None
Printing Type: Offset	Inks: Food Contact Safe Inks	Brim fill capacity (ml): 263
Dimensions top LxW (mm): 90	Dimensions base LxW (mm): 75	Product Depth: 62
Product weight (g): 8.25	Thickness: 300gsm	Use: Hot and cold
Manufactured: Taiwan	Customise: None	MOQ custom: 25000
Mould fees: No	Environmental production certified: ISO 14001	Quality product certified: ISO 9001
Factory food safety certified: BRC	Corporate social accreditation: SMETA	Home compostable: No
Industrially compostable: Certified to AS4736 Australian Standards, Certified to EN13432 European Standard	Recyclable: No	