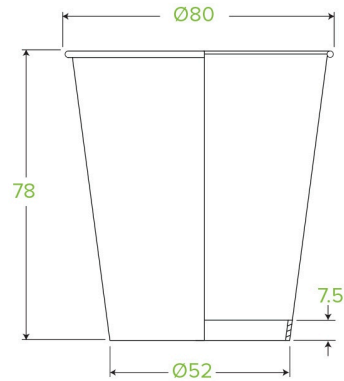


230ml / 6oz (80mm) White Single Wall BioCup BC-6W



White paper BioCups are manufactured using a Aqueous water dispersion coating. BioPak paper cups are certified home compostable (AS5810). This 6oz white single-wall cup fits our small lids.

Carton quantity: 1000	Sleeves per carton: 20	Units per sleeve: 50
Carton Size LxWxH (cm): 41x33.5x45.5	Carton gross weight (kg): 8.500000	Carton barcode: 19344062012860
Raw material: Paper	Lining/coating: Aqueous	Window material: None
Printing Type: Offset	Inks: Food Contact Safe Inks	Brim fill capacity (ml): 235
Dimensions top LxW (mm): 80x80	Dimensions base LxW (mm): 51x51	Product Depth: 81
Product weight (g): 5.6	Thickness: 230gsm	Use: Hot & Wet Products
Manufactured: Taiwan	Customise: Print	MOQ custom: 100000
Mould fees: Yes - see custom packaging	Environmental production certified: None	Quality product certified: TBC
Factory food safety certified: BRC	Corporate social accreditation: BSCI	Home compostable: Certified to AS5810 Australian standards, Certified to NF T51-800 European standards
Industrially compostable: Certified to AS4736 Australian Standards, Certified to EN13432 European Standard	Recyclable: No	