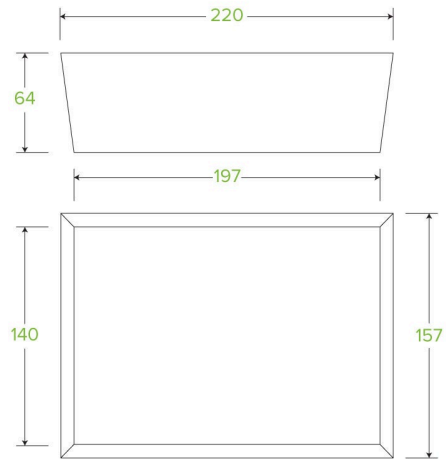


Large BioBoard Lunch Box With Window BB-WLBL-3



BioBoard Lunch Boxes are made from sustainably sourced FSC™ Mix certified paperboard with a waterproof Ingeo™ bioplastic lining and window. This large lunch box is printed kraft-look. Certified industrially compostable to AS4736.

Carton quantity: 200	Sleeves per carton: 4	Units per sleeve: 50
Carton Size LxWxH (cm): 58x37x49	Carton gross weight (kg): 9.800000	Carton barcode: 19344062028137
Raw material: Paper - FSC™ Mix certified paper	Lining/coating: Bioplastic - Ingeo™ PLA	Window material: Bioplastic - PLA
Printing Type: Offset	Inks: Food Contact Safe Inks - Soy or Water Based	Brim fill capacity (ml): 1965
Dimensions top LxW (mm): 224x164	Dimensions base LxW (mm): 197x140	Product Depth: 64
Product weight (g): 36	Thickness: 330gsm	Use: Hot and cold
Manufactured: China	Customise: Print	MOQ custom: 30000
Mould fees: No	Environmental production certified: ISO 14001	Quality product certified: NA
Factory food safety certified: BRC, ISO 22000	Corporate social accreditation: NONE AVAILABLE	Home compostable: No
Industrially compostable: Certified to AS4736 Australian Standards, Certified to EN13432 European Standard	Recyclable: No	