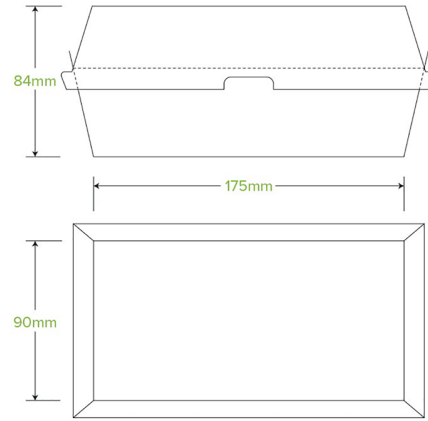


Regular Snack BioBoard Box BB-SNACK BOX REGULAR



BioPak paperboard regular snack boxes are made from recycled paper and unlined. These paper clamshell containers are home compostable. Eco-friendly and perfect for takeaways.

| | | |
|--|--|--|
| Carton quantity: 200 | Sleeves per carton: 4 | Units per sleeve: 50 |
| Carton Size LxWxH (cm): 50x34x45.5 | Carton gross weight (kg): 8.700000 | Carton barcode: 19344062023903 |
| Raw material: Paper - Recycled Paper Pulp | Lining/coating: None | Window material: None |
| Printing Type: None | Inks: None | Brim fill capacity (ml): 882 |
| Dimensions top LxW (mm): 175x90 | Dimensions base LxW (mm): 175x90 | Product Depth: 84 |
| Product weight (g): 33.22 | Thickness: 340gsm | Use: Hot and cold |
| Manufactured: China | Customise: Print | MOQ custom: 30000 |
| Mould fees: No | Environmental production certified: ISO 14001 | Quality product certified: ISO 9001 |
| Factory food safety certified: BRC | Corporate social accreditation: BSCI | Home compostable: Suitable for composting |
| Industrially compostable: Suitable for composting | Recyclable: No | |