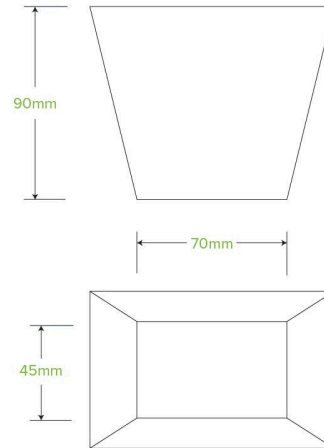


Chip BioBoard Box

BB-CHIP BOX



BioPak paperboard chip boxes are made from recycled paper with no lining. These hot chip boxes are home compostable.

Carton quantity: 500	Sleeves per carton: 10	Units per sleeve: 50
Carton Size LxWxH (cm): 53.5x24x38	Carton gross weight (kg): 8.400000	Carton barcode: 19344062023866
Raw material: Paper	Lining/coating: None	Window material: None
Printing Type: None	Inks: None	Brim fill capacity (ml): 455
Dimensions top LxW (mm): 113x70	Dimensions base LxW (mm): 70x45	Product Depth: 90
Product weight (g): 12	Thickness: 350gsm	Use: Hot & Wet Products
Manufactured: China	Customise: Print	MOQ custom: 50000
Mould fees: Yes - see custom packaging	Environmental production certified: None	Quality product certified: ISO 9001
Factory food safety certified: BRC	Corporate social accreditation: BSCI	Home compostable: Suitable for composting
Industrially compostable: Suitable for composting	Recyclable: No	