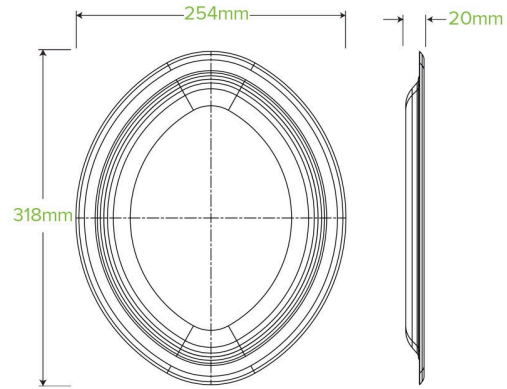


32x25cm / 12.5x10" Oval Plant Fibre Plates B-PL-16-2-PF



Our plastic-free plates are made from rapidly renewable sugarcane pulp, a by-product of the sugar refining industry, made with no added PFAS. This 12.5x10" oval bagasse compartment plates are a more eco-friendly alternative to plastic plates or paper plates.

Carton Quantity: 500	Sleeves per UOM: 4	Units per sleeve: 125
Carton Size: 52x35x35	Gross Weight: 15.000000	Item Raw Material: Plant Fibre With No Added PFAS
Item Lining: None	Item Window: None	Item Printing Type: None
Ink: None	Dimensions Top: 312x245x24	Dimensions Base: 312x245x24
Product Depth: 24	Weight (per unit): 0.0637	Thickness: 0.6mm
Item Use: Hot, Cold, Wet & Dry Products	Manufactured: China	Customise: Yes - Please Contact Our Team For More Information
MOQ Custom: MOQ apply see custom packaging	Mould fees: Yes - see custom packaging	Environmental production certified: ISO 14001
Quality product certified: ISO 9001	Factory food safety certified: BRC, HACCP	Corporate social accreditation: BSCI, SA 8000
Home compostable: No	Industrially compostable: No	Recyclable: No