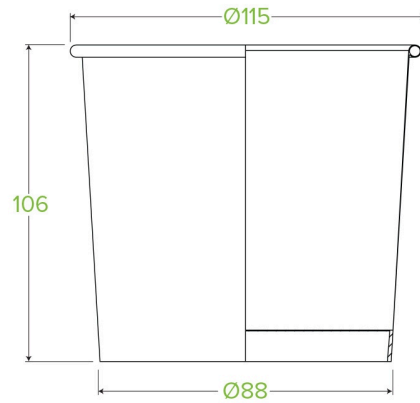


740ml / 24oz White BioBowl BSC-24-V2



24oz white paper bowls are manufactured with an aqueous water dispersion coating. Certified home compostable (AS5810). Suitable for hot/cold food and soup-safe.

Carton Quantity: 500	Sleeves per UOM: 20	Units per sleeve: 25
Carton Size: 58x46.5x35.5	Gross Weight: 9.000000	Item Raw Material: Paper
Item Lining: Aqueous	Item Window: None	Item Printing Type: Offset
Ink: Food Contact Safe Inks	Brim full capacity: 780	Dimensions Top: 115
Dimensions Base: 87	Product Depth: 113	Weight (per unit): 16.71
Thickness: 320gsm	Item Use: Hot and cold	Manufactured: Taiwan
Customise: None	MOQ Custom: 25000	Mould fees: No
Factory food safety certified: BRC	Home compostable: Certified to AS5810 Australian standards, Certified to NF T51-800 European standards	Industrially compostable: Certified to AS4736 Australian Standards, Certified to EN13432 European Standards
Recyclable: No		