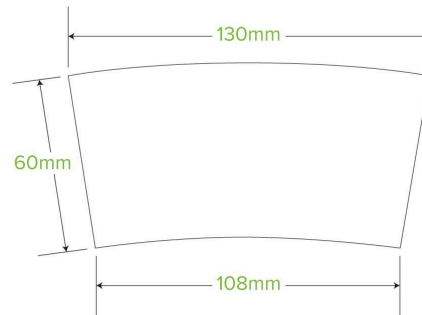


12oz Paper Cup Sleeve BCS-12



Our large paper coffee cup sleeves are made from premium paperboard and are both compostable/recyclable. They are an eco-friendly choice compared to double-cupping hot drinks.

Carton Quantity: 1000	Sleeves per UOM: 10	Units per sleeve: 100
Carton Size: 35x26.5x34	Gross Weight: 5.200000	Barcode Carton: 19344062028373
Item Raw Material: Paper - Recycled Paper Pulp	Item Lining: None	Item Window: None
Item Printing Type: Offset	Ink: None	Dimensions Top: 125x125
Dimensions Base: 110x110	Weight (per unit): 5.07	Thickness: 270gsm
Item Use: Hot and cold	Manufactured: China	Customise: Print
MOQ Custom: 30000	Mould fees: No	Environmental production certified: ISO 14001
Quality product certified: ISO 9001	Factory food safety certified: BRC	Corporate social accreditation: BSCI
Home compostable: Suitable for composting	Industrially compostable: Suitable for composting	Recyclable: No