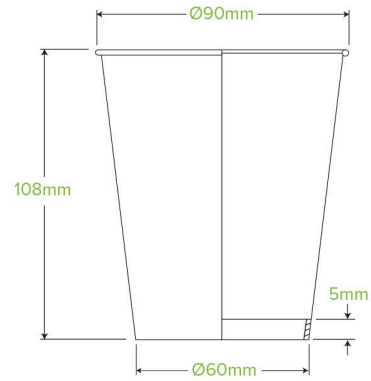


390ml / 12oz (90mm) Art Series Single Wall BioCup BC-12-ART SERIES



*image as a guide only



Art Series paper BioCups are manufactured using an Aqueous water dispersion coating. BioPak paper cups are certified home compostable (AS5810). This 12oz art series fits our large lids.

Carton Quantity: 1000	Sleeves per UOM: 20	Units per sleeve: 50
Carton Size: 46.7x36.8x53	Gross Weight: 12.700000	Barcode Carton: 19344062009075
Item Raw Material: Paper	Item Lining: Aqueous	Item Window: None
Item Printing Type: Offset	Ink: Food Contact Safe Inks	Brim full capacity: 410
Dimensions Top: 90x90	Dimensions Base: 60x60	Product Depth: 108
Weight (per unit): 10.1	Thickness: 300gsm	Item Use: Hot & Wet Products
Manufactured: Taiwan	Customise: Print	MOQ Custom: 100000
Mould fees: Yes - see custom packaging	Quality product certified: ISO 9001	Factory food safety certified: BRC,HACCP
Corporate social accreditation: BSCI	Home compostable: Certified to AS5810 Australian standards,Certified to NF T51-800 European standards	Industrially compostable: Certified to AS4736 Australian Standards,Certified to EN13432 European Standards
Recyclable: No		