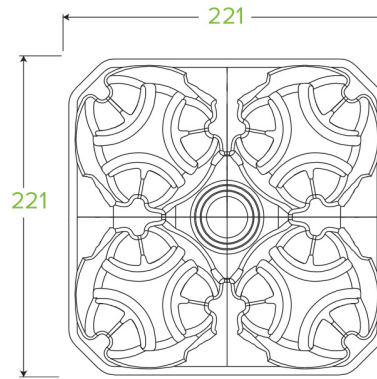


4-Cup Pulp BioCup Tray B-CC-832



Our 4 cup holder is made from 100% recycled paper pulp. This 4 drink cup carrier is suitable for clear and paper cups from 6oz to 22oz.

Carton Quantity: 300	Sleeves per UOM: 4	Units per sleeve: 75
Carton Size: 44.3x44.3x33.1	Gross Weight: 12.750000	Barcode Carton: 19344062000300
Item Raw Material: Paper - Recycled Paper Pulp	Item Lining: None	Item Window: None
Item Printing Type: None	Ink: None	Dimensions Top: 220x220
Product Depth: 48	Weight (per unit): 42	Item Use: Hot and cold
Manufactured: Malaysia	Customise: None	MOQ Custom: N/A
Mould fees: No	Environmental production certified: None	Quality product certified: ISO 9001
Factory food safety certified: FSSC 22000	Corporate social accreditation: SMETA	Home compostable: No
Industrially compostable: No	Recyclable: No	