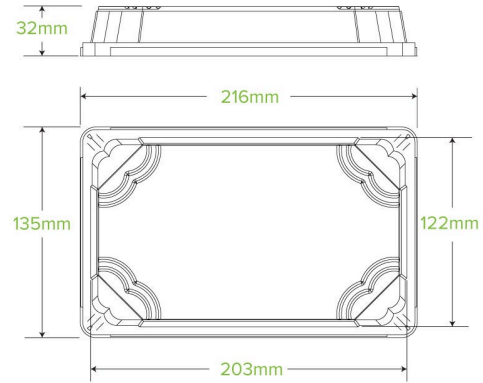


Large Plant Fibre Sushi Tray B-ST-LARGE-PF



Our plastic-free sushi trays are made from rapidly renewable sugarcane pulp, a by-product of the sugar refining industry, along with other plant fibres. Our large, disposable sushi trays are an eco-friendly alternative to plastic sushi trays, and made with no added PFAS.

Carton quantity: 600	Sleeves per carton: 6	Units per sleeve: 100
Carton Size LxWxH (cm): 44x32x42.5	Carton gross weight (kg): 10.000000	Raw Material: Plant Fibre With No Added PFAS
Lining/coating: None	Window Material: TBC	Printing Type: None
Inks: None	Dimensions top LxW (mm): 214x134x24	Dimensions base LxW (mm): 214x134x24
Product Depth: 24	Product weight (g): 0.05984	Thickness: 0.6mm
Use: Hot and cold	Manufactured: China	Customise: Yes - Please Contact Our Team For More Information
MOQ custom: MOQ apply see custom packaging	Mould fees: Yes - see custom packaging	Environmental production certified: ISO 14001
Quality product certified: ISO 9001	Factory food safety certified: BRC	Corporate social accreditation: BSCI
Home compostable: Certified to AS5810 Australian standards, Certified to NF T51-800 European standards	Industrially compostable: Certified to AS4736 Australian Standards, Certified to EN13432 European Standards	Recyclable: No