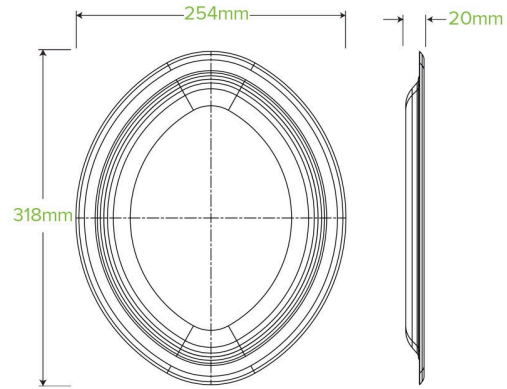


32x25cm / 12.5x10" Oval Plant Fibre Plate B-PL-16-2-PF



Our plastic-free plates are made from rapidly renewable sugarcane pulp, a by-product of the sugar refining industry, along with other plant fibres. This 12.5x10" oval bagasse compartment plates are a more eco-friendly alternative to plastic plates or paper plates and made with no added PFAS.

Carton quantity: 500	Sleeves per carton: 4	Units per sleeve: 125
Carton Size LxWxH (cm): 52x35x35	Carton gross weight (kg): 15.000000	Raw Material: Plant Fibre With No Added PFAS
Lining/coating: None	Window Material: None	Printing Type: None
Inks: None	Dimensions top LxW (mm): 312x245x24	Dimensions base LxW (mm): 312x245x24
Product Depth: 24	Product weight (g): 0.0637	Thickness: 0.6mm
Use: Hot, Cold, Wet & Dry Products	Manufactured: China	Customise: Yes - Please Contact Our Team For More Information
MOQ custom: MOQ apply see custom packaging	Mould fees: Yes - see custom packaging	Environmental production certified: ISO 14001
Quality product certified: ISO 9001	Factory food safety certified: BRC	Corporate social accreditation: BSCI
Home compostable: Pending Certification to AS5810 Australian Standards, Pending Certification to NF T51-800 European Standards	Industrially compostable: No	Recyclable: No