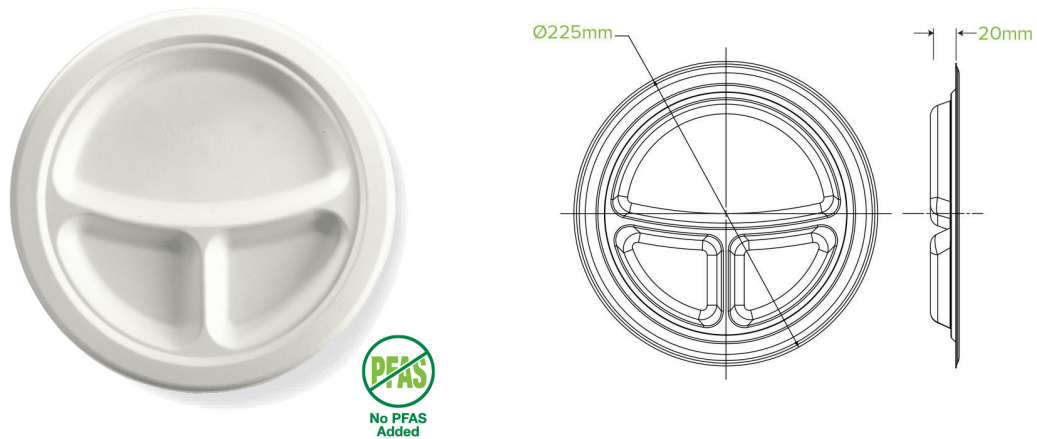


23cm / 9" 3-Compartment Round Plant Fibre Plate B-PL-93-PF



Our plastic-free plates are made from rapidly renewable sugarcane pulp, a by-product of the sugar refining industry, along with other plant fibres. These 9" bagasse compartment plates are a more eco-friendly alternative to plastic plates or paper plates and are made with no added PFAS.

Carton quantity: 500	Sleeves per carton: 4	Units per sleeve: 125
Carton Size LxWxH (cm): 46x32x23.5	Carton gross weight (kg): 8.500000	Raw Material: Plant Fibre With No Added PFAS
Lining/coating: None	Window Material: None	Inks: None
Dimensions top LxW (mm): 230x19	Dimensions base LxW (mm): 230x19	Product Depth: 20
Product weight (g): 0.034592	Thickness: 0.6mm	Use: Hot, Cold, Wet & Dry Products
Manufactured: China	Customise: Yes - Please Contact Our Team For More Information	MOQ custom: 100000
Mould fees: Yes - see custom packaging	Environmental production certified: ISO 14001	Quality product certified: ISO 9001
Factory food safety certified: BRC	Corporate social accreditation: BSCI	Home compostable: Pending Certification to AS5810 Australian Standards, Pending Certification to NF T51-800 European Standards
Industrially compostable: No	Recyclable: No	