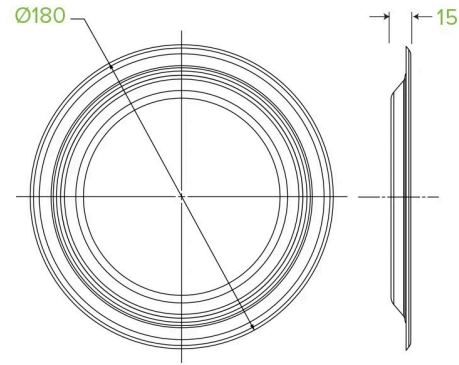


18cm / 7" Round Plant Fibre Plate B-PL-07-PF



Our plastic-free plates are made from rapidly renewable sugarcane pulp, a by-product of the sugar refining industry, along with other plant fibres. This 7" round bagasse plate is a more eco-friendly alternative to plastic plates or paper plates and made with no added PFAS.

Carton quantity: 1000	Sleeves per carton: 8	Units per sleeve: 125
Carton Size LxWxH (cm): 38x38x29	Carton gross weight (kg): 9.000000	Raw Material: Plant Fibre With No Added PFAS
Lining/coating: None	Window Material: TBC	Inks: None
Dimensions top LxW (mm): 175x16	Dimensions base LxW (mm): 175x16	Product Depth: 18
Product weight (g): 0.041876	Thickness: 0.6mm	Use: Hot, Cold, Wet & Dry Products
Manufactured: China	Customise: Yes - Please Contact Our Team For More Information	MOQ custom: MOQ apply see custom packaging
Mould fees: Yes - see custom packaging	Environmental production certified: ISO 14001	Quality product certified: ISO 9001
Factory food safety certified: BRC	Corporate social accreditation: BSCI	Home compostable: Pending Certification to AS5810 Australian Standards, Pending Certification to NF T51-800 European Standards
Industrially compostable: No	Recyclable: No	