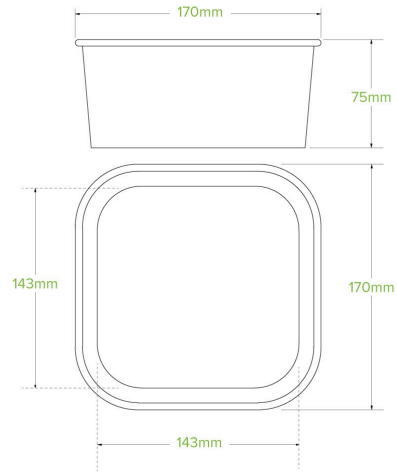


## 1,400ml White BioBoard Square Takeaway Base BB-SLB-1400-W



Our white 1,400ml square paper containers are sustainably sourced, made from FSC™ certified paper board. They are lined with a bioplastic made from plants, not oil. These takeaway containers are perfect for displaying meals. Certified industrially compostable.

<b>Carton quantity:</b> 300	<b>Sleeves per carton:</b> 6	<b>Units per sleeve:</b> 50
<b>Carton Size LxWxH (cm):</b> 52x35x59	<b>Carton gross weight (kg):</b> 9.000000	<b>Raw Material:</b> Paper - FSC™ Mix certified paper
<b>Lining/coating:</b> PLA	<b>Window Material:</b> None	<b>Inks:</b> Food Contact Safe Inks
<b>Brim fill capacity (ml):</b> 1440	<b>Dimensions top LxW (mm):</b> 170x170	<b>Dimensions base LxW (mm):</b> 148x148
<b>Product Depth:</b> 75	<b>Product weight (g):</b> 26	<b>Thickness:</b> 320gsm+30g
<b>Use:</b> Hot, Cold, Wet & Dry Products	<b>Customise:</b> Print	<b>MOQ custom:</b> 30000
<b>Mould fees:</b> No	<b>Environmental production certified:</b> ISO 14001	<b>Quality product certified:</b> ISO 9001
<b>Factory food safety certified:</b> BRC	<b>Corporate social accreditation:</b> NONE AVAILABLE	<b>Home compostable:</b> No
<b>Industrially compostable:</b> Certified to AS4736 Australian Standards, Certified to EN13432 European Standards	<b>Recyclable:</b> No	