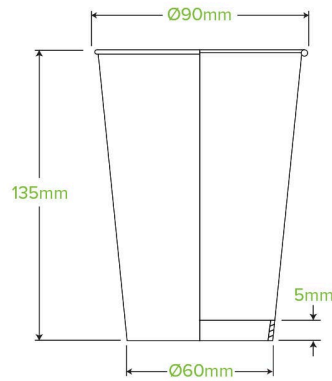


510ml / 16oz (90mm) Kraft Green Stripe Single Wall BioCup BCK-16-GS-V2



Paper BioCups are lined with a water-based aqueous coating and certified home compostable (AS5810). This 16oz Green Stripe BioCup is printed kraft-look. This takeaway cup fits our large lids

Carton quantity: 1000	Sleeves per carton: 20	Units per sleeve: 50
Carton Size LxWxH (cm): 46x37x56	Carton gross weight (kg): 15.000000	Raw Material: Paper - FSC™ Mix certified paper
Lining/coating: Aqueous	Window Material: None	Printing Type: Flexo
Inks: Food Contact Safe Inks - Soy or Water Based	Brim fill capacity (ml): 520	Dimensions top LxW (mm): 90
Dimensions base LxW (mm): 69	Product Depth: 136	Product weight (g): 12.3
Thickness: 300gsm	Use: Hot and cold	Manufactured: Taiwan
Customise: Print	MOQ custom: 100000	Mould fees: Yes - see custom packaging
Environmental production certified: ISO 14001	Facility Quality Systems: NA	Factory food safety certified: BRC
Corporate social accreditation: BSCI	Home compostable: Certified to AS5810 Australian standards, Certified to NF T51-800 European standards	Industrially compostable: Certified to AS4736 Australian Standards, Certified to EN13432 European Standards
Recyclable: No		