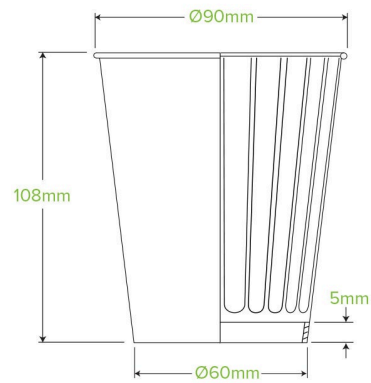


390ml / 12oz (90mm) Kraft Green Stripe Double Wall BioCup BCK-12DW-GS-V2



Paper Double Wall BioCups are lined with a water-based aqueous coating and certified home compostable (AS5810). This 12oz Green Stripe BioCup is printed kraft-look. This takeaway cup fits our large lids

| | | |
|---|--|---|
| Carton quantity: 1000 | Sleeves per carton: 25 | Units per sleeve: 40 |
| Carton Size LxWxH (cm): 46.5x46.5x59.5 | Carton gross weight (kg): 18.600000 | Raw Material: Paper |
| Lining/coating: Aqueous | Window Material: None | Printing Type: Offset |
| Inks: Food Contact Safe Inks | Brim fill capacity (ml): 391 | Dimensions top LxW (mm): 90x90 |
| Dimensions base LxW (mm): 60x60 | Product Depth: 108 | Product weight (g): 18 |
| Thickness: 285gsm + 35gsm | Use: Hot and cold | Manufactured: Taiwan |
| Customise: Print | MOQ custom: 50000 | Mould fees: No |
| Quality product certified: ISO 9001 | Factory food safety certified: BRC, HACCP | Home compostable: Certified to AS5810 Australian standards, Certified to NF T51-800 European standards |
| Industrially compostable: Certified to AS4736 Australian Standards, Certified to EN13432 European Standard | Recyclable: No | |