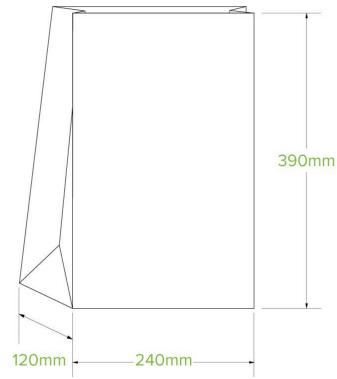


#16 SOS White Paper Bag BAG-SOS-16-W



Our white SOS bags are made from high-quality and sustainably sourced FSC™ certified paper with no handles. These SOS paper bags are versatile, making them a top choice for packing breads, bakery delights, and takeout meals on the go. They are recyclable, reusable, and suitable for composting. Available in six sizes and in natural.

Carton quantity: 250	Sleeves per carton: 1	Units per sleeve: 250
Carton Size LxWxH (cm): 41x26x22	Carton gross weight (kg): 7.000000	Raw Material: Paper - FSC™ Mix certified paper
Lining/coating: None	Window Material: None	Printing Type: Flexo
Inks: Food Contact Safe Inks	Brim fill capacity (ml): 11232	Dimensions top LxW (mm): 240x120
Dimensions base LxW (mm): 240x120	Product Depth: 390	Product weight (g): 25.05
Thickness: 70gsm	Use: Hot, Cold & Dry Products	Manufactured: China
Customise: Print	MOQ custom: 10000	Mould fees: No
Environmental production certified: ISO 14001	Quality product certified: ISO 9001	Factory food safety certified: BRC
Corporate social accreditation: SMETA	Home compostable: Suitable for composting	Industrially compostable: Suitable for composting
Recyclable: No		