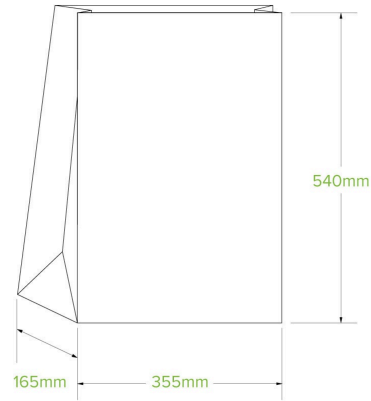


## #25 SOS Kraft Paper Bag BAG-SOS-25-B



Our kraft SOS bags are made from high-quality and sustainably sourced FSC™ certified paper with no handles. These SOS paper bags are versatile, making them a top choice for packing breads, bakery delights and takeout meals on the go. They are recyclable, reusable and suitable for composting. This SOS bag has 5kg weight capacity. Available in seven sizes and in white.

<b>Carton quantity:</b> 100	<b>Sleeves per carton:</b> 1	<b>Units per sleeve:</b> 100
<b>Carton Size LxWxH (cm):</b> 56x37.5x12	<b>Carton gross weight (kg):</b> 6.500000	<b>Raw Material:</b> Paper - FSC™ Mix certified paper
<b>Lining/coating:</b> None	<b>Window Material:</b> None	<b>Printing Type:</b> Flexo
<b>Inks:</b> Food Contact Safe Inks	<b>Brim fill capacity (ml):</b> 31631	<b>Dimensions top LxW (mm):</b> 355x165
<b>Dimensions base LxW (mm):</b> 355x165	<b>Product Depth:</b> 540	<b>Product weight (g):</b> 54.5
<b>Thickness:</b> 80gsm	<b>Use:</b> Hot, Cold & Dry Products	<b>Manufactured:</b> China
<b>Customise:</b> Print	<b>MOQ custom:</b> 10000	<b>Mould fees:</b> No
<b>Environmental production certified:</b> ISO 14001	<b>Quality product certified:</b> ISO 9001	<b>Factory food safety certified:</b> BRC
<b>Corporate social accreditation:</b> SMETA	<b>Home compostable:</b> Suitable for composting	<b>Industrially compostable:</b> Suitable for composting
<b>Recyclable:</b> No		