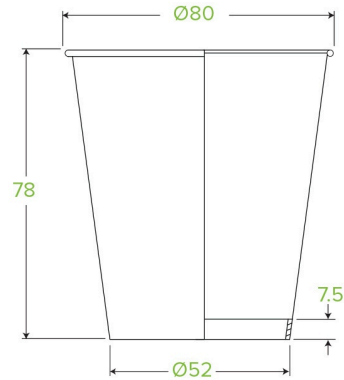


230ml / 6oz (80mm) Black Single Wall BioCup BC-6B



6oz Aqueous Single Wall BioCups are manufactured using a unique water-based dispersion coating certified home compostable to Australian standards (AS5810). These cups are food safe, odorless, and can be disposed of right in your backyard compost bin!

| | | |
|---|---|---|
| Carton quantity: 1000 | Sleeves per carton: 20 | Units per sleeve: 50 |
| Carton Size LxWxH (cm): 41x33.5x45.5 | Carton gross weight (kg): 8.500000 | Raw Material: Paper |
| Lining/coating: Aqueous | Window Material: None | Printing Type: Offset |
| Inks: Food Contact Safe Inks | Brim fill capacity (ml): 235 | Dimensions top LxW (mm): 80x80 |
| Dimensions base LxW (mm): 51x51 | Product Depth: 81 | Product weight (g): 5.6 |
| Thickness: 230gsm | Use: Hot & Wet Products | Manufactured: China |
| Customise: Print | MOQ custom: 100000 | Mould fees: Yes - see custom packaging |
| Environmental production certified: None | Quality product certified: TBC | Factory food safety certified: BRC |
| Corporate social accreditation: BSCI | Home compostable: Certified to AS5810 Australian standards, Certified to NF T51-800 European standards | Industrially compostable: Certified to AS4736 Australian Standards, Certified to EN13432 European Standard |
| Recyclable: No | | |