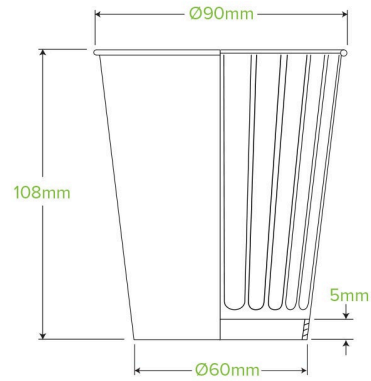


390ml / 12oz (90mm) Christmas Double Wall BioCup BC-12DW-CHRISTMAS



The BioCup Christmas Series is a limited edition collaboration with Ozharvest to raise awareness and funds to help feed people in need during the holiday season. BioCups are sustainably sourced from managed plantations with a bioplastic lining made from plants, not oil.

| | | |
|---|---|---|
| Carton quantity: 1000 | Sleeves per carton: 25 | Units per sleeve: 40 |
| Carton Size LxWxH (cm): 46.5x46.5x59.5 | Carton gross weight (kg): 18.600000 | Raw Material: Paper |
| Lining/coating: Bioplastic - Ingeo PLA | Window Material: None | Printing Type: Offset |
| Inks: Food Contact Safe Inks | Brim fill capacity (ml): 390 | Dimensions top LxW (mm): 90x90 |
| Dimensions base LxW (mm): 59.92x59.92 | Product Depth: 108 | Product weight (g): 17 |
| Thickness: 300gsm | Use: Hot and cold | Manufactured: Taiwan |
| Customise: Print | MOQ custom: MOQ apply see custom packaging | Mould fees: No |
| Environmental production certified: ISO 14001 | Quality product certified: ISO 9001 | Factory food safety certified: BRC, ISO 22000 |
| Corporate social accreditation: SA 8000 | Home compostable: No | Industrially compostable: Certified to AS4736 Australian Standards, Certified to EN13432 European Standard |
| Recyclable: No | | |