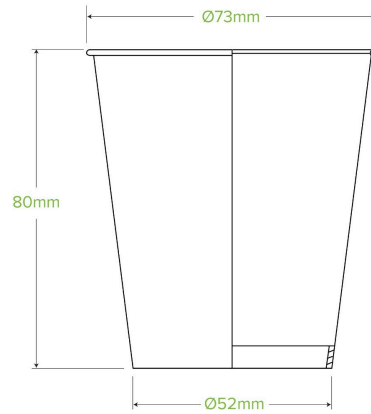


## 200ml / 6oz (73mm) White Cold Paper Water BioCup BCC-6-73-W



Paper cold cups are lined and coated with Ingeo™, a bioplastic made from plants. They are freezer safe and suitable for cold drinks. Certified industrially compostable to AS4736. Available in 4 different colours with compatible lids.

<b>Carton quantity:</b> 1000	<b>Sleeves per carton:</b> 20	<b>Units per sleeve:</b> 50
<b>Carton Size LxWxH (cm):</b> 37.5x30.5x37.5	<b>Carton gross weight (kg):</b> 6.000000	<b>Raw Material:</b> Paper
<b>Lining/coating:</b> Bioplastic - Ingeo™ PLA	<b>Window Material:</b> None	<b>Printing Type:</b> Flexo
<b>Inks:</b> Food Contact Safe Inks	<b>Brim fill capacity (ml):</b> 216	<b>Dimensions top LxW (mm):</b> 73
<b>Dimensions base LxW (mm):</b> 53	<b>Product Depth:</b> 79	<b>Product weight (g):</b> 5.6
<b>Thickness:</b> 210gsm	<b>Use:</b> Cold use only	<b>Manufactured:</b> China
<b>Customise:</b> None	<b>MOQ custom:</b> 25000	<b>Mould fees:</b> No
<b>Environmental production certified:</b> ISO 14001	<b>Quality product certified:</b> ISO 9001	<b>Factory food safety certified:</b> BRC
<b>Corporate social accreditation:</b> SMETA	<b>Home compostable:</b> No	<b>Industrially compostable:</b> Certified to AS4736 Australian Standards, Certified to EN13432 European Standard
<b>Recyclable:</b> No		