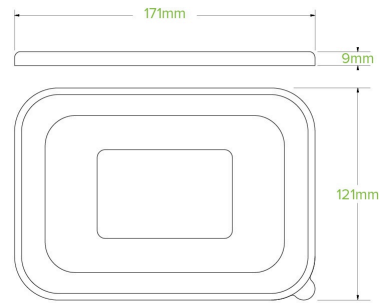


500-1,000ml CPLA BioBoard Takeaway Lid BB-LBL-CPLA



CPLA Rectangle Container Lids are made with plants, not oil, and are suitable for hot food. Matches our 500-1,000ml rectangular paper containers. Certified industrially compostable.

Carton quantity: 300	Sleeves per carton: 6	Units per sleeve: 50
Carton Size LxWxH (cm): 54x34x27	Carton gross weight (kg): 4.150000	Carton barcode: 19344062067945
Raw Material: Bioplastic - Ingeo™ PLA	Lining/coating: None	Window Material: None
Printing Type: None	Inks: None	Dimensions top LxW (mm): 173x121
Dimensions base LxW (mm): 173x121	Product Depth: 10	Product weight (g): 11
Thickness: N/A	Use: Hot and cold	Manufactured: China
Customise: Emboss	MOQ custom: 50000	Mould fees: Yes - see custom packaging
Environmental production certified: ISO 14001	Quality product certified: ISO 9001	Factory food safety certified: BRC
Corporate social accreditation: BSCI	Home compostable: No	Industrially compostable: Certified to AS4736 Australian Standards
Recyclable: No		