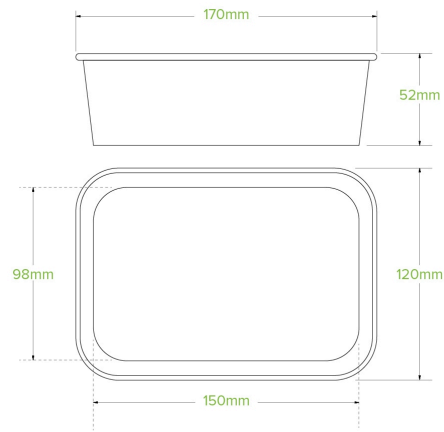


650ml Kraft BioBoard Takeaway Base BB-LB-650-N



650ml Natural BioBoard Rectangular Paper Containers are sustainably sourced and made from FSC™ certified paper board. They are lined with a waterbased, waterproof coating. These food containers are perfect for hot and greasy food.

Carton quantity: 300	Sleeves per carton: 6	Units per sleeve: 50
Carton Size LxWxH (cm): 38x36x45.5	Carton gross weight (kg): 6.000000	Carton barcode: 19344062067662
Raw Material: Paper - FSC™ Mix certified paper	Lining/coating: Aqueous	Window Material: None
Printing Type: Flexo	Inks: Food Contact Safe Inks - Soy or Water Based	Brim fill capacity (ml): 650
Dimensions top LxW (mm): 173	Dimensions base LxW (mm): 121	Product Depth: 52
Product weight (g): 16	Thickness: 320gsm+26g	Use: Hot and cold
Manufactured: China	Customise: Print	MOQ custom: 30000
Mould fees: Yes - see custom packaging	Environmental production certified: ISO 14001	Quality product certified: ISO 9001
Factory food safety certified: BRC	Corporate social accreditation: BSCI	Home compostable: Pending Certification to AS5810 Australian Standards, Pending Certification to NF T51-800 European Standards
Industrially compostable: No	Recyclable: No	