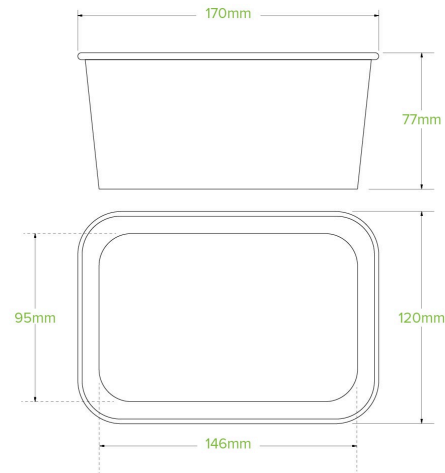


1,000ml White BioBoard Takeaway Base BB-LB-1000-W



BioBoard Rectangular Paper Containers are sustainably sourced and made from FSC™ certified paper board. These eco-friendly food containers are lined with waterbased, waterproof coating. This food packaging is perfect for hot and greasy food.

Original (Old) Price: \$ 131.45	Price Discount: Save 32%	Carton quantity: 300
Sleeves per carton: 6	Units per sleeve: 50	Carton Size LxWxH (cm): 38x36x47.5
Carton gross weight (kg): 7.100000	Carton barcode: 19344062067815	Raw Material: Paper - FSC™ Mix certified paper
Lining/coating: Aqueous	Window Material: None	Printing Type: Flexo
Inks: Food Contact Safe Inks - Soy or Water Based	Brim fill capacity (ml): 1000	Dimensions top LxW (mm): 173
Dimensions base LxW (mm): 121	Product Depth: 75	Product weight (g): 20
Thickness: 320gsm+8g	Use: Hot, Cold, Wet & Dry Products	Manufactured: China
Customise: Print	MOQ custom: 30000	Mould fees: Yes - see custom packaging
Environmental production certified: ISO 14001	Facility Quality Systems: ISO 9001	Factory food safety certified: BRC
Corporate social accreditation: BSCI	Home compostable: Pending Certification to AS5810 Australian Standards, Pending Certification to NF T51-800 European Standards	Industrially compostable: No
Recyclable: No		