

25 Pack - 295ml / 8oz (90mm) Art Series Single Wall BioCup RT-BC-8-6X25P-P

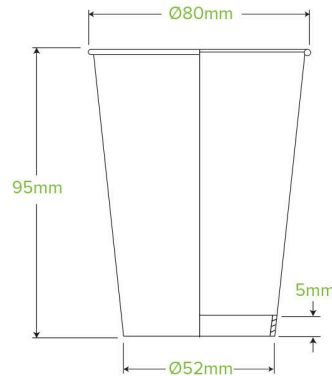


IMAGE AS A GUIDE ONLY. Cartons contain up to three different art cups with new artists featured every two months. Pictured here are designs from the latest Art Series. Unfortunately, we cannot sell individual art cups and cannot guarantee which prints, or which series of prints will be in each carton. These eco-friendly paper cups are certified compostable. These paper drink cups are packaged for retail and are shelf-ready. Each sleeve has 25 paper cups and there are 6 sleeves in a carton.

Carton quantity: 150	Sleeves per carton: 6	Units per sleeve: 25
Carton Size LxWxH (cm): 18x26x27.5	Carton gross weight (kg): 1.900000	Carton barcode: 19344062066108
Raw Material: Paper	Lining/coating: Bioplastic - Ingeo PLA	Window Material: None
Printing Type: Offset	Inks: Food Contact Safe Inks	Brim fill capacity (ml): 280
Dimensions base LxW (mm): 52x52	Product Depth: 95	Product weight (g): 7.97
Thickness: 303gsm	Use: Hot and cold	Manufactured: Taiwan
Customise: Yes - Please Contact Our Team For More Information	MOQ custom: MOQ apply see custom packaging	Mould fees: Yes - see custom packaging
Environmental production certified: TBC	Quality product certified: TBC	Factory food safety certified: TBC
Corporate social accreditation: TBC	Home compostable: No	Industrially compostable: Certified to AS4736 Australian Standards, Certified to EN13432 European Standard
Recyclable: No		

www.biopak.com

