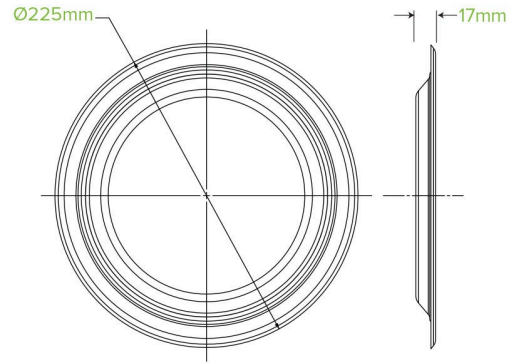


20 Pack - 23cm / 9" White BioPlates RT-B-PL-9-7X20P-P



Our plastic-free plates are made from rapidly renewable sugarcane pulp, a by-product of the sugar refining industry. These disposable plates are packaged for retail sale and are shelf-ready. Each carton contains 7 retail boxes and each box contains 20 dinner plates.

Carton quantity: 140	Sleeves per carton: 7	Units per sleeve: 20
Carton Size LxWxH (cm): 30x24.5x24.5	Carton gross weight (kg): 2.600000	Carton barcode: 19344062066146
Raw Material: Plant Fibre With PFAS	Lining/coating: None	Window Material: None
Printing Type: Offset	Inks: Food Contact Safe Inks	Dimensions top LxW (mm): 225x225
Dimensions base LxW (mm): 225x225	Product Depth: 17	Product weight (g): 16.1
Thickness: 0.6mm	Use: Hot, Cold, Wet & Dry Products	Manufactured: China
Customise: Yes - Please Contact Our Team For More Information	MOQ custom: MOQ apply see custom packaging	Mould fees: Yes - see custom packaging
Environmental production certified: TBC	Quality product certified: TBC	Factory food safety certified: TBC
Corporate social accreditation: TBC	Home compostable: No	Industrially compostable: No
Recyclable: No		