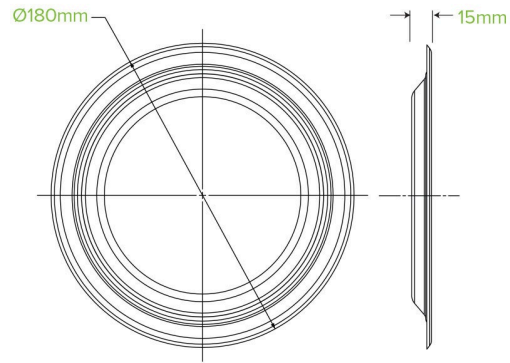


20 Pack - 18cm / 7" White BioPlates RT-B-PL-7-7X20P-P



Our plastic-free side plates are made from rapidly renewable sugarcane pulp, a by-product of the sugar refining industry. These compostable plates have been packaged for retail sale and are shelf-ready. There are 20 sugarcane plates per pack and 7 packs per carton.

| | | |
|--|---|---|
| Carton quantity: 140 | Sleeves per carton: 7 | Units per sleeve: 20 |
| Carton Size LxWxH (cm): 30x19x19 | Carton gross weight (kg): 1.620000 | Carton barcode: 19344062065163 |
| Raw Material: Plant Fibre With PFAS | Lining/coating: None | Window Material: None |
| Printing Type: Offset | Inks: Food Contact Safe Inks | Dimensions top LxW (mm): 180x180 |
| Dimensions base LxW (mm): 180x180 | Product Depth: 15 | Product weight (g): 9.64 |
| Thickness: 0.6mm | Use: Hot, Cold, Wet & Dry Products | Manufactured: China |
| Customise: Yes - Please Contact Our Team For More Information | MOQ custom: MOQ apply see custom packaging | Mould fees: Yes - see custom packaging |
| Environmental production certified: TBC | Quality product certified: TBC | Factory food safety certified: TBC |
| Corporate social accreditation: TBC | Home compostable: No | Industrially compostable: No |
| Recyclable: No | | |