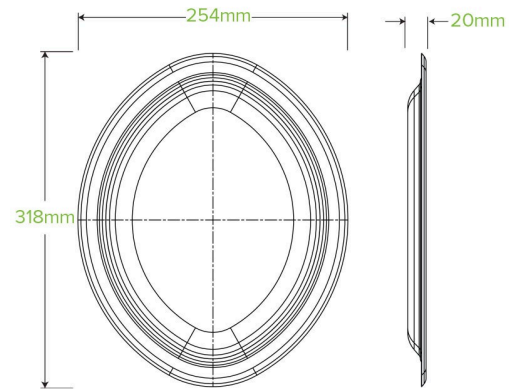


10 Pack - 31cm / 12" White BioPlates RT-B-PL-16-2-5X10P-P



Our plastic-free plates are made from rapidly renewable sugarcane pulp, a by-product of the sugar refining industry. These compostable plates have been packaged for retail sale and are shelf-ready. There are 10 sugarcane plates per pack and 5 packs per carton.

Carton quantity: 50	Sleeves per carton: 5	Units per sleeve: 10
Carton Size LxWxH (cm): 34x23x27.5	Carton gross weight (kg): 2.100000	Carton barcode: 19344062065187
Raw Material: Plant Fibre With PFAS	Lining/coating: None	Window Material: None
Printing Type: Offset	Inks: Food Contact Safe Inks	Dimensions top LxW (mm): 318x254
Dimensions base LxW (mm): 318x254	Product Depth: 20	Product weight (g): 29.18
Thickness: 0.6mm	Use: Hot, Cold, Wet & Dry Products	Manufactured: China
Customise: Yes - Please Contact Our Team For More Information	MOQ custom: MOQ apply see custom packaging	Mould fees: Yes - see custom packaging
Environmental production certified: TBC	Quality product certified: TBC	Factory food safety certified: TBC
Corporate social accreditation: TBC	Home compostable: No	Industrially compostable: No
Recyclable: No		