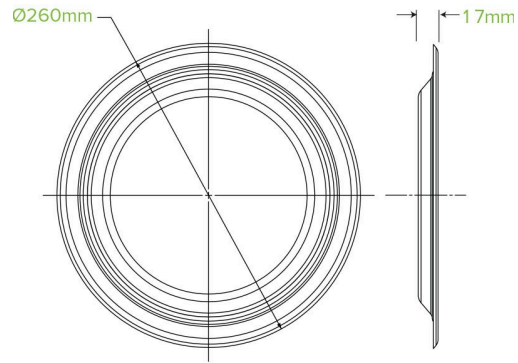


20 Pack - 25cm / 10" White BioPlates RT-B-PL-10-5X20P-P



Our plastic-free plates are made from rapidly renewable sugarcane pulp, a by-product of the sugar refining industry. These disposable plates are packaged for retail sale and are shelf-ready in paper boxes. Each carton has 5 retail boxes and each box has 20 dinner plates.

Carton quantity: 100	Sleeves per carton: 5	Units per sleeve: 20
Carton Size LxWxH (cm): 28x27.5x21.5	Carton gross weight (kg): 2.500000	Carton barcode: 19344062065170
Raw Material: Plant Fibre With No Added PFAS	Lining/coating: None	Window Material: None
Printing Type: Offset	Inks: None	Dimensions top LxW (mm): 250
Dimensions base LxW (mm): 260x260	Product Depth: 22	Product weight (g): 0.016555
Thickness: 0.6	Use: Hot, Cold, Wet & Dry Products	Manufactured: China
Customise: Emboss	MOQ custom: MOQ apply see custom packaging	Mould fees: Yes - see custom packaging
Environmental production certified: ISO 14001	Quality product certified: ISO 9001	Factory food safety certified: BRC
Corporate social accreditation: BSCI, SMETA	Home compostable: No	Industrially compostable: No
Recyclable: No		