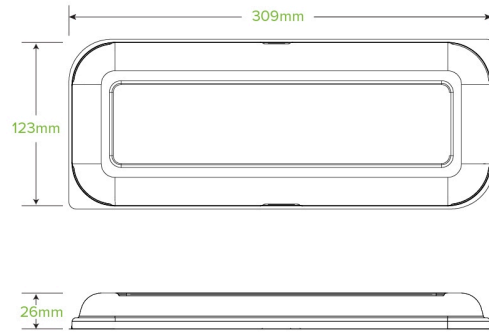


Plant Fibre Oyster Tray Lid B-TRAY-6-OYSTER-LID-V2



Our clear BioCane Oyster Tray rPET lids are made from recycled PET and accepted in the plastic recycling stream.

Carton quantity: 400	Sleeves per carton: 4	Units per sleeve: 100
Carton Size LxWxH (cm): 50x35x35	Carton gross weight (kg): 8.200000	Carton barcode: 19344062063909
Raw Material: Plastic - Recycled PET (Polyethylene Terephthalate)	Lining/coating: None	Window Material: None
Printing Type: None	Inks: None	Dimensions top LxW (mm): 308x123
Product Depth: 26	Product weight (g): 19	Use: Cold use only
Manufactured: China	Customise: Yes - Please Contact Our Team For More Information	MOQ custom: MOQ apply see custom packaging
Mould fees: Yes - see custom packaging	Environmental production certified: ISO 14001	Quality product certified: ISO 9001
Factory food safety certified: BRC, HACCP	Corporate social accreditation: BSCI	Home compostable: No
Industrially compostable: No	Recyclable: Yes	