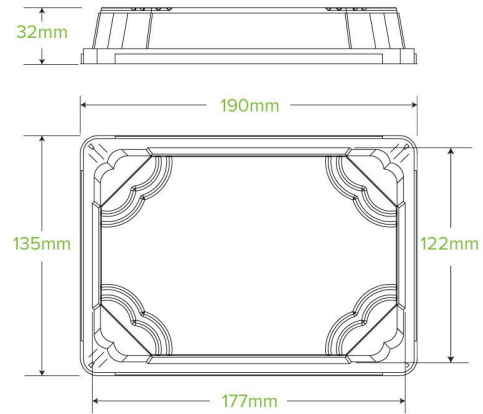


Medium PLA Sushi Tray Lid B-STL-MEDIUM



Our sushi trays are an eco-friendly alternative to plastic sushi trays. Note: cold use only.

Carton quantity: 600	Sleeves per carton: 12	Units per sleeve: 50
Carton Size LxWxH (cm): 67.5x39x30	Carton gross weight (kg): 6.470000	Carton barcode: 19344062044625
Raw Material: Bioplastic - Ingeo™ PLA	Lining/coating: None	Window Material: None
Printing Type: None	Inks: None	Dimensions top LxW (mm): 193x135
Dimensions base LxW (mm): 169x93	Product Depth: 32	Product weight (g): 9.8
Use: Cold use only	Manufactured: Taiwan	Customise: None
MOQ custom: 1000000	Mould fees: Yes - see custom packaging	Environmental production certified: ISO 14001
Factory food safety certified: ISO 22000	Corporate social accreditation: BSCI	Home compostable: No
Industrially compostable: Certified to AS4736 Australian Standards, Certified to EN13432 European Standard	Recyclable: No	