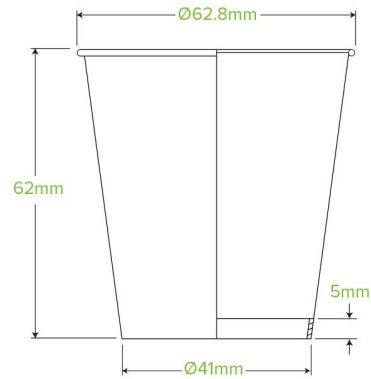


## 120ml / 4oz (63mm) Stone Single Wall BioCup ABC-4



4oz Aqueous Single Wall BioCups are manufactured using a unique water-based dispersion coating certified home compostable to Australian standards (AS5810). These cups are food safe, odorless, and can be disposed of right in your backyard compost bin!

<b>Carton quantity:</b> 2000	<b>Sleeves per carton:</b> 40	<b>Units per sleeve:</b> 50
<b>Carton Size LxWxH (cm):</b> 51.5x32.5x38	<b>Carton gross weight (kg):</b> 8.000000	<b>Carton barcode:</b> 19344062062292
<b>Raw Material:</b> Paper	<b>Lining/coating:</b> Aqueous	<b>Window Material:</b> None
<b>Printing Type:</b> Offset	<b>Inks:</b> Food Contact Safe Inks	<b>Brim fill capacity (ml):</b> 120
<b>Dimensions top LxW (mm):</b> 62x62	<b>Dimensions base LxW (mm):</b> 45x45	<b>Product Depth:</b> 62.5
<b>Product weight (g):</b> 3.5	<b>Thickness:</b> 230gsm	<b>Use:</b> Hot & Wet Products
<b>Manufactured:</b> Taiwan	<b>Customise:</b> Print	<b>MOQ custom:</b> 100000
<b>Mould fees:</b> Yes - see custom packaging	<b>Environmental production certified:</b> None	<b>Quality product certified:</b> TBC
<b>Factory food safety certified:</b> BRC	<b>Corporate social accreditation:</b> BSCI	<b>Home compostable:</b> Certified to AS5810 Australian standards, Certified to NF T51-800 European standards
<b>Industrially compostable:</b> Certified to AS4736 Australian Standards, Certified to EN13432 European Standard	<b>Recyclable:</b> No	