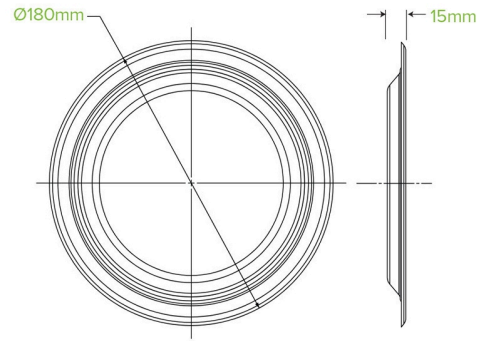


10 Pack - 18cm / 7" White BioPlates in Plastic Sleeves RT-B-PL-07-8X10P



Our tree-free plates are made from rapidly renewable sugarcane pulp, a by-product of the sugar refining industry.

Carton quantity: 80	Sleeves per carton: 8	Units per sleeve: 10
Carton Size LxWxH (cm): 20.5x19x19	Carton gross weight (kg): 0.937000	Carton barcode: 19344062053733
Raw Material: Plant Fibre With PFAS	Lining/coating: None	Window Material: None
Printing Type: None	Inks: None	Dimensions top LxW (mm): 175
Dimensions base LxW (mm): 145	Product Depth: 18	Product weight (g): 8
Use: Hot, Cold, Wet & Dry Products	Customise: Yes - Please Contact Our Team For More Information	MOQ custom: MOQ apply see custom packaging
Mould fees: Yes - see custom packaging	Environmental production certified: ISO 14001	Quality product certified: ISO 9001
Factory food safety certified: BRC	Corporate social accreditation: BSCI	Home compostable: No
Industrially compostable: No	Recyclable: No	