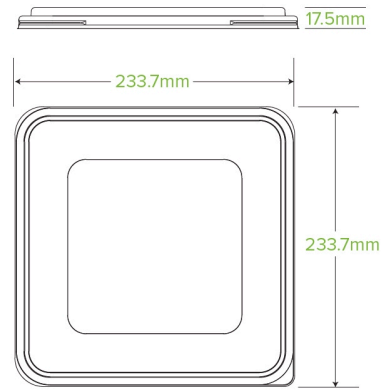


## 3/4/5-Compartment Large PP Takeaway Lid B-LBL-3/4/5C-PP-LARGE



Our PP clear lids are leak-proof, hot food friendly and microwave-safe. These lids are accepted in the plastic recycling stream. These lids are suitable for our 3, 4 & 5 compartment container bases.

|   |   |  |
|---|---|--|
| <b>Carton quantity:</b> 300                       | <b>Sleeves per carton:</b> 4                  | <b>Units per sleeve:</b> 75  |
| <b>Carton Size LxWxH (cm):</b> 51x48x25           | <b>Carton gross weight (kg):</b> 6.800000     | <b>Carton barcode:</b> 19344062060175                                |
| <b>Raw Material:</b> Plastic - PP (Polypropylene) | <b>Lining/coating:</b> None                   | <b>Window Material:</b> None   |
| <b>Printing Type:</b> None                        | <b>Inks:</b> None                             | <b>Dimensions top LxW (mm):</b> 235x235                              |
| <b>Dimensions base LxW (mm):</b> 235x235          | <b>Product Depth:</b> 16                      | <b>Product weight (g):</b> 21  |
| <b>Use:</b> Cold use only                         | <b>Manufactured:</b> China                    | <b>Customise:</b> Yes - Please Contact Our Team For More Information |
| <b>MOQ custom:</b> MOQ apply see custom packaging | <b>Mould fees:</b> Yes - see custom packaging | <b>Environmental production certified:</b> ISO 14001                 |
| <b>Quality product certified:</b> ISO 9001        | <b>Factory food safety certified:</b> BRC     | <b>Corporate social accreditation:</b> BSCI                          |
| <b>Home compostable:</b> No                       | <b>Industrially compostable:</b> No           | <b>Recyclable:</b> No  |