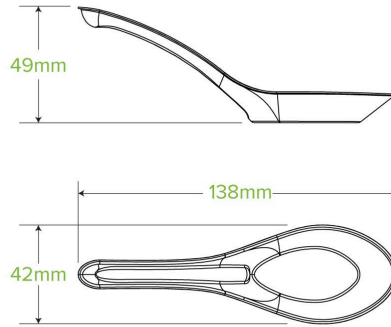


14cm Plant Fibre Chinese Soup Spoon B-14CS-PULP



Our BioCane Chinese soup is made from rapidly renewable sugarcane pulp, a by-product of the sugar refining industry. The increased pulp thickness makes it suitable for hot soups and food. Bagasse cutlery is certified home compostable to Australian AS5810 standards, made with no added PFAS.

Carton quantity: 1000	Sleeves per carton: 8	Units per sleeve: 125
Carton Size LxWxH (cm): 44x22x20	Carton gross weight (kg): 5.000000	Carton barcode: 19344062063312
Raw Material: Plant Fibre With No Added PFAS	Lining/coating: None	Window Material: None
Printing Type: None	Inks: None	Dimensions top LxW (mm): 141.4
Dimensions base LxW (mm): 42	Product Depth: 51.35	Product weight (g): 0.01936
Thickness: 0.6	Use: Hot, Cold, Wet & Dry Products	Manufactured: China
Customise: Yes - Please Contact Our Team For More Information	MOQ custom: MOQ apply see custom packaging	Mould fees: Yes - see custom packaging
Environmental production certified: ISO 14001	Quality product certified: TBC	Factory food safety certified: FSSC 22000
Corporate social accreditation: BSCI	Home compostable: Certified to AS5810 Australian standards, Certified to NF T51-800 European standards	Industrially compostable: Certified to AS4736 Australian Standards
Recyclable: No		