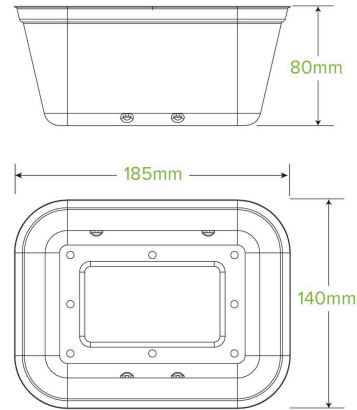


1kg Plant Fibre Punnet B-PUNNET-1KG



Our plastic-free produce trays are made from rapidly renewable sugarcane pulp, a by-product of the sugar refining industry. This 1kg punnet is certified home compostable and made with no added PFAS.

Carton quantity: 500	Sleeves per carton: 4	Units per sleeve: 125
Carton Size LxWxH (cm): 50x39x30	Carton gross weight (kg): 11.000000	Carton barcode: 19344062051234
Raw Material: Plant Fibre With No Added PFAS	Lining/coating: None	Window Material: None
Printing Type: None	Inks: None	Brim fill capacity (ml): 1340
Dimensions top LxW (mm): 181x139	Dimensions base LxW (mm): 134x92	Product Depth: 80
Product weight (g): 28	Thickness: 0.6	Use: Hot, Cold, Wet & Dry Products
Manufactured: China	Customise: Emboss	MOQ custom: MOQ apply see custom packaging
Mould fees: Yes - see custom packaging	Environmental production certified: ISO 14001	Quality product certified: ISO 9001
Factory food safety certified: BRC	Corporate social accreditation: BSCI, SMETA	Home compostable: Certified to AS5810 Australian standards, Certified to NF T51-800 European standards
Industrially compostable: Certified to AS4736 Australian Standards, Certified to EN13432 European Standard	Recyclable: No	