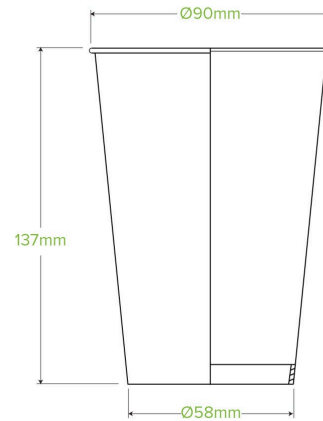


## 510ml / 16oz (90mm) Leaf Cold Paper BioCup BCC-16



Paper cold cups are lined inside and out with Ingeo™, a bioplastic made from plants, not oil – making them the perfect option for cold drinks. Certified industrially compostable. Available in 4 different colours with compatible lids.

<b>Carton quantity:</b> 1000	<b>Sleeves per carton:</b> 20	<b>Units per sleeve:</b> 50
<b>Carton Size LxWxH (cm):</b> 45.5x36.5x56	<b>Carton gross weight (kg):</b> 14.200000	<b>Carton barcode:</b> 19344062012648
<b>Raw Material:</b> Paper	<b>Lining/coating:</b> Bioplastic - Ingeo™ PLA	<b>Window Material:</b> None
<b>Printing Type:</b> Flexo	<b>Inks:</b> Food Contact Safe Inks	<b>Brim fill capacity (ml):</b> 510
<b>Dimensions top LxW (mm):</b> 90	<b>Dimensions base LxW (mm):</b> 58	<b>Product Depth:</b> 136
<b>Product weight (g):</b> 11.18	<b>Thickness:</b> 230gsm	<b>Use:</b> Cold use only
<b>Manufactured:</b> China	<b>Customise:</b> None	<b>MOQ custom:</b> 25000
<b>Mould fees:</b> No	<b>Environmental production certified:</b> ISO 14001	<b>Quality product certified:</b> ISO 9001
<b>Factory food safety certified:</b> BRC	<b>Corporate social accreditation:</b> SMETA	<b>Home compostable:</b> No
<b>Industrially compostable:</b> Certified to AS4736 Australian Standards, Certified to EN13432 European Standard	<b>Recyclable:</b> No	