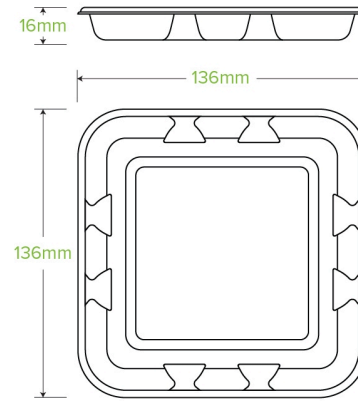


14x14x2cm / 5x5" Plant Fibre Produce Tray B-TRAY-5X5



Packaging made from plants, not plastic! Our 5x5" bagasse produce trays are an eco-friendly alternative to traditional plastic or styrofoam produce trays and fruit punnets. These plastic-free produce trays are made from rapidly renewable sugarcane pulp, a by-product of the sugar refining industry. Certified home compostable, made with no added PFAS.

Carton quantity: 1000	Sleeves per carton: 8	Units per sleeve: 125
Carton Size LxWxH (cm): 56x31x30	Carton gross weight (kg): 10.000000	Carton barcode: 19344062042386
Raw Material: Plant Fibre With No Added PFAS	Lining/coating: None	Window Material: None
Printing Type: None	Inks: None	Dimensions top LxW (mm): 115x115
Dimensions base LxW (mm): 115x115	Product Depth: 16	Product weight (g): 9
Thickness: 0.6	Use: Hot, Cold, Wet & Dry Products	Manufactured: China
Customise: Emboss	MOQ custom: MOQ apply see custom packaging	Mould fees: Yes - see custom packaging
Environmental production certified: ISO 14001	Quality product certified: ISO 9001	Factory food safety certified: BRC
Corporate social accreditation: BSCI, SMETA	Home compostable: Certified to AS5810 Australian standards, Certified to NF T51-800 European standards	Industrially compostable: Certified to AS4736 Australian Standards, Certified to EN13432 European Standard
Recyclable: No		