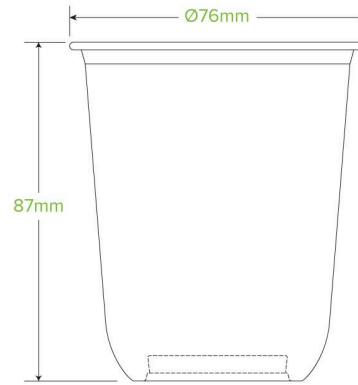


250ml Clear Tumbler Biocup Q-250



250ml Tumbler BioCups look and perform like conventional plastic cups but are made from bioplastic. Certified industrially compostable. Note: cold use only. This cup is banned in WA, without a lid (cups are allowed for sale with a lid, only to serve food till September 24).

Carton quantity: 1000	Sleeves per carton: 20	Units per sleeve: 50
Carton Size LxWxH (cm): 39.5x33.5x37	Carton gross weight (kg): 7.300000	Carton barcode: 19344062038778
Raw Material: Bioplastic - PLA	Lining/coating: None	Window Material: None
Printing Type: Offset	Inks: Food Contact Safe Inks	Brim fill capacity (ml): 258
Dimensions top LxW (mm): 76x76	Dimensions base LxW (mm): 42x42	Product Depth: 87
Product weight (g): 6.434	Use: Cold use only	Manufactured: Taiwan
Customise: Print	MOQ custom: 50000	Mould fees: Yes - see custom packaging
Environmental production certified: ISO 14001	Quality product certified: ISO 9001	Factory food safety certified: FSSC 22000
Corporate social accreditation: NONE AVAILABLE	Home compostable: No	Industrially compostable: Certified to AS4736 Australian Standards, Certified to EN13432 European Standard
Recyclable: No		