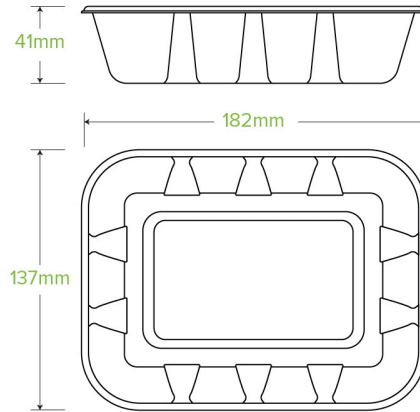


500g Plant Fibre Produce Tray B-TRAY-500G



Packaging made from plants, not plastic! Our 500g bagasse produce trays are an eco-friendly alternative to traditional plastic or styrofoam produce trays and fruit punnets. These plastic-free produce trays are made from rapidly renewable sugarcane pulp, a by-product of the sugar refining industry. Certified home compostable, made with no added PFAS.

Carton quantity: 500	Sleeves per carton: 4	Units per sleeve: 125
Carton Size LxWxH (cm): 40x37.5x29	Carton gross weight (kg): 9.000000	Carton barcode: 19344062042393
Raw Material: Plant Fibre With No Added PFAS	Lining/coating: None	Window Material: None
Printing Type: None	Inks: None	Brim fill capacity (ml): 705
Dimensions top LxW (mm): 182x137	Dimensions base LxW (mm): 145x100	Product Depth: 41
Product weight (g): 15	Thickness: 0.6	Use: Hot, Cold, Wet & Dry Products
Manufactured: China	Customise: Emboss	MOQ custom: MOQ apply see custom packaging
Mould fees: Yes - see custom packaging	Environmental production certified: ISO 14001	Quality product certified: ISO 9001
Factory food safety certified: BRC	Corporate social accreditation: BSCI, SMETA	Home compostable: Certified to AS5810 Australian standards, Certified to NF T51-800 European standards
Industrially compostable: Certified to AS4736 Australian Standards, Certified to EN13432 European Standard	Recyclable: No	