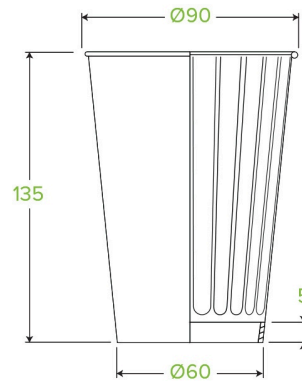


## 460ml / 16oz (90mm) Kraft Green Stripe Double Wall BioCup BCK-16DW-GS



Paper BioCups are made from premium paperboard lined with a plant-based bioplastic. This cup is printed kraft-look. This 16oz Green Stripe double wall cup fits our large lids.

<b>Carton quantity:</b> 600	<b>Sleeves per carton:</b> 15	<b>Units per sleeve:</b> 40
<b>Carton Size LxWxH (cm):</b> 46.5x28.5x63	<b>Carton gross weight (kg):</b> 13.000000	<b>Carton barcode:</b> 19344062001116
<b>Raw Material:</b> Paper	<b>Lining/coating:</b> Bioplastic - Ingeo PLA	<b>Window Material:</b> None
<b>Printing Type:</b> Offset	<b>Inks:</b> Food Contact Safe Inks	<b>Brim fill capacity (ml):</b> 464
<b>Dimensions top LxW (mm):</b> 90x90	<b>Dimensions base LxW (mm):</b> 60x60	<b>Product Depth:</b> 136
<b>Product weight (g):</b> 22.562	<b>Thickness:</b> 285gsm + 35gsm PLA	<b>Use:</b> Hot and cold
<b>Manufactured:</b> Taiwan	<b>Customise:</b> Print	<b>MOQ custom:</b> 50000
<b>Mould fees:</b> No	<b>Quality product certified:</b> ISO 9001	<b>Factory food safety certified:</b> BRC, HACCP
<b>Home compostable:</b> No	<b>Industrially compostable:</b> Certified to AS4736 Australian Standards, Certified to EN13432 European Standard	<b>Recyclable:</b> No