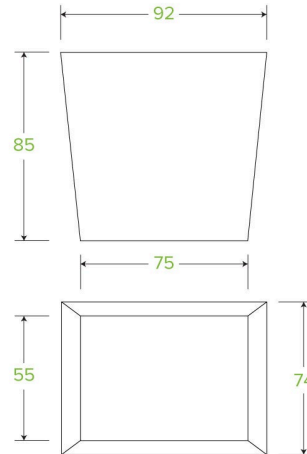


## 480ml / 16oz BioBoard Noodle Box BB-NB-16



BioBoard Noodle Boxes are made from sustainably sourced FSC™ Mix certified paperboard and lined with waterproof Ingeo™ – a bioplastic product made from plants, not oil. This 16oz box is printed kraft-look. Certified industrially compostable to AS4736.

<b>Carton quantity:</b> 500	<b>Sleeves per carton:</b> 10	<b>Units per sleeve:</b> 50
<b>Carton Size LxWxH (cm):</b> 68.5x24x39	<b>Carton gross weight (kg):</b> 10.400000	<b>Carton barcode:</b> 19344062028045
<b>Raw Material:</b> Paper - FSC™ Mix certified paper	<b>Lining/coating:</b> Bioplastic - Ingeo™ PLA	<b>Window Material:</b> None
<b>Printing Type:</b> Offset	<b>Inks:</b> Food Contact Safe Inks - Soy or Water Based	<b>Brim fill capacity (ml):</b> 458
<b>Dimensions top LxW (mm):</b> 92x74	<b>Dimensions base LxW (mm):</b> 75x55	<b>Product Depth:</b> 85
<b>Product weight (g):</b> 16	<b>Thickness:</b> 270gsm	<b>Use:</b> Hot and cold
<b>Manufactured:</b> China	<b>Customise:</b> Print	<b>MOQ custom:</b> 30000
<b>Mould fees:</b> No	<b>Environmental production certified:</b> ISO 14001	<b>Quality product certified:</b> NA
<b>Factory food safety certified:</b> BRC, ISO 22000	<b>Corporate social accreditation:</b> NONE AVAILABLE	<b>Home compostable:</b> No
<b>Industrially compostable:</b> Certified to AS4736 Australian Standards, Certified to EN13432 European Standard	<b>Recyclable:</b> No	