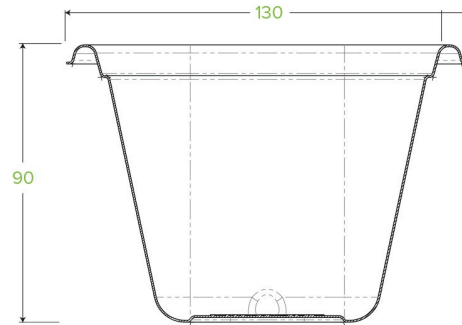


630ml White Plant Fibre Takeaway Base B-SLB-630-W



Our plastic-free sugarcane takeaway containers are made from rapidly renewable sugarcane pulp, a by-product of the sugar refining industry. They are microwave and oven friendly.

Carton quantity: 600	Sleeves per carton: 12	Units per sleeve: 50
Carton Size LxWxH (cm): 49.5x39.5x27	Carton gross weight (kg): 10.600000	Carton barcode: 19344062009136
Raw Material: Plant Fibre With PFAS	Lining/coating: None	Window Material: None
Printing Type: None	Inks: None	Brim fill capacity (ml): 630
Dimensions top LxW (mm): 130x130	Dimensions base LxW (mm): 70.4x70.4	Product Depth: 90
Product weight (g): 15	Thickness: 0.6	Use: Hot and cold
Manufactured: China	Customise: Emboss	MOQ custom: 100000
Mould fees: Yes - see custom packaging	Environmental production certified: ISO 14001	Quality product certified: ISO 9001
Factory food safety certified: BRC, ISO 22000	Corporate social accreditation: BSCI	Home compostable: No
Industrially compostable: No	Recyclable: No	