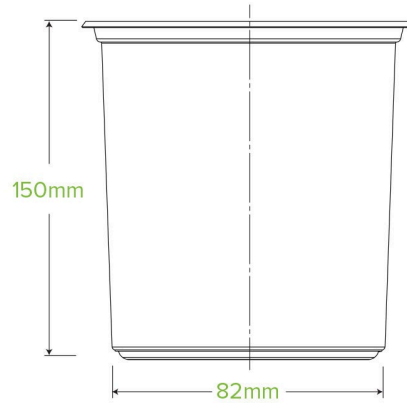


960ml Clear BioBowl P-960



Our 960ml clear bowls are made from Ingeo™ – an ingenious bioplastic made from plants, not oil. BioBowls are certified industrially compostable. Available in 7 sizes. Note: they are suitable for cold use only. Bioplastic bowls are banned in WA and ACT when used without a lid.

Carton quantity: 500	Sleeves per carton: 20	Units per sleeve: 25
Carton Size LxWxH (cm): 62x51x35	Carton gross weight (kg): 11.200000	Carton barcode: 19344062013461
Raw Material: Bioplastic - Ingeo™ PLA	Lining/coating: None	Window Material: None
Printing Type: Offset	Inks: Food Contact Safe Inks	Brim fill capacity (ml): 1002
Dimensions top LxW (mm): 121x121	Dimensions base LxW (mm): 82x82	Product Depth: 150
Product weight (g): 21.35	Use: Cold use only	Manufactured: Taiwan
Customise: Print	MOQ custom: 50000	Mould fees: Yes - see custom packaging
Environmental production certified: ISO 14001	Quality product certified: ISO 9001	Factory food safety certified: FSSC 22000
Corporate social accreditation: NONE AVAILABLE	Home compostable: No	Industrially compostable: Certified to AS4736 Australian Standards, Certified to EN13432 European Standard
Recyclable: No		